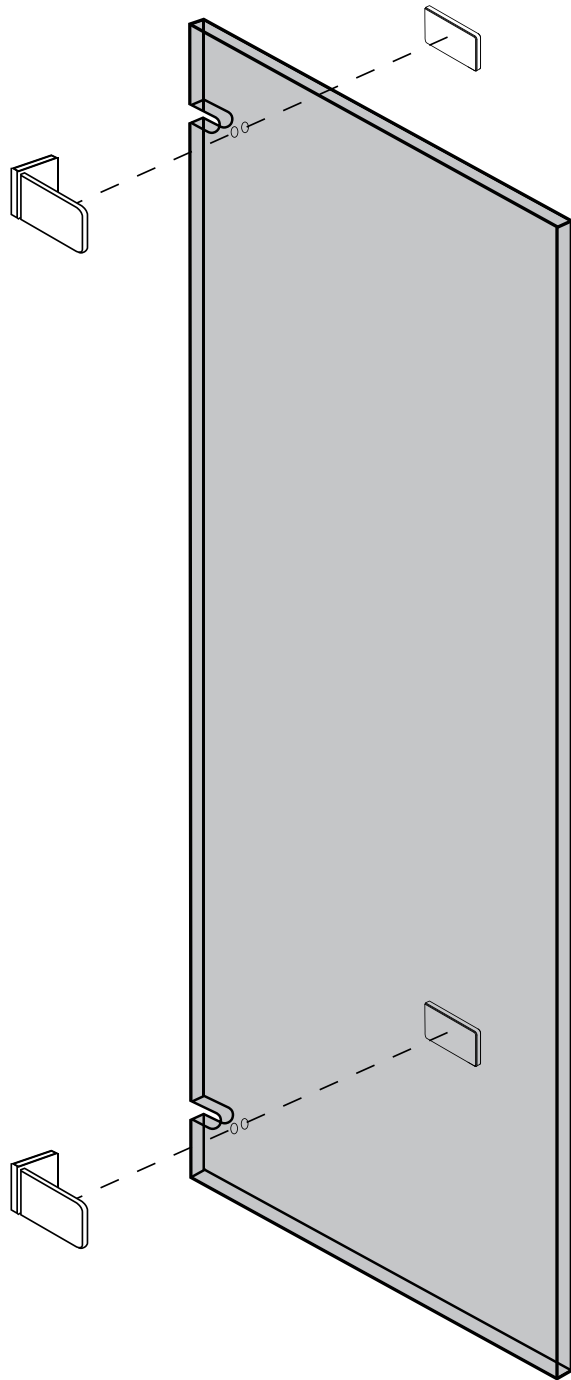


MAJESTIC
INSTALLATION GUIDE






GENOA BATH SCREEN





Genoa Bath Screen

THIS BOX SHOULD CONTAIN THE FOLLOWING:

Glass bathscreen	x1	
Glass-to-wall hinges (inc. Rawl plugs, screws, screw covers)	x2	
4mm Allen key	x1	
Door mounting blocks	x2	
1915 under-door seal	x1	
1929 door-to-wall seal	x1	

TOOLS REQUIRED:

2x suction glass lifters	Sealant gun
Spirit Level	High-quality silicone
Setsquare	Pencil
Power drill/ driver	Masking tape
Junior Hacksaw	

IMPORTANT:

Installation of this bath screen is a two-person job.

Do not place the glass panels on hard surfaces! Cover any hard surfaces you are working on with a cushioned material, to help prevent the glass from shattering on contact.

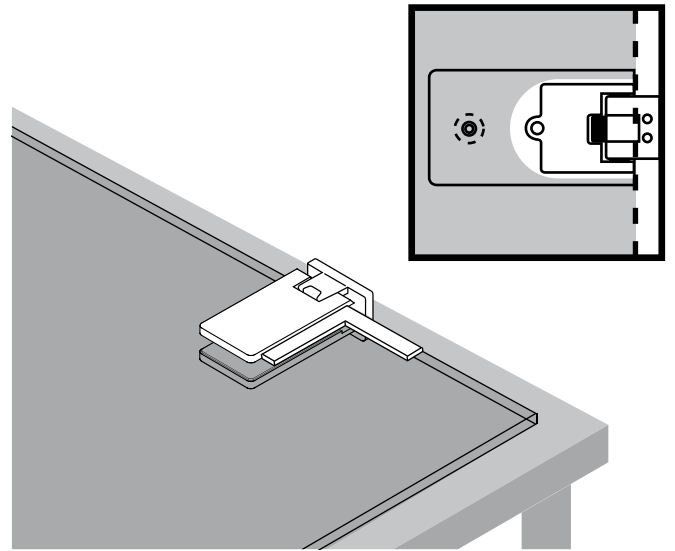
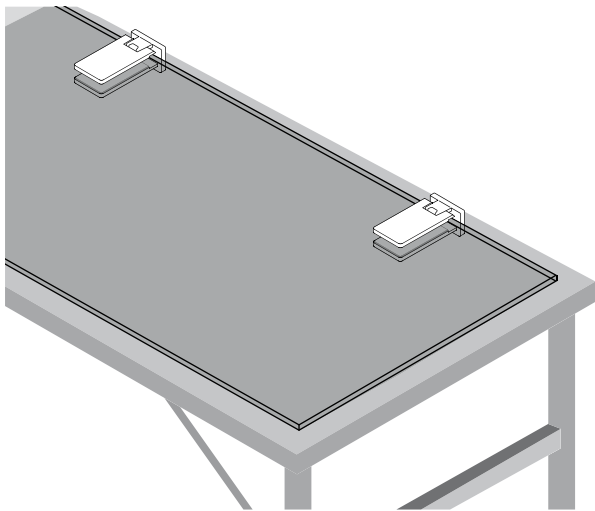
Before beginning, please familiarise yourself with the glass-handling guide attached to the glass panels. Where appropriate the top end of the glass panels will be indicated.

If anti-calcium glass has been purchased, the treated side of the glass will be indicated and should always face inwards towards the bath.

Unwrap all parts carefully to avoid damaging the chrome fittings!

Please check the glass and all components thoroughly before installation; if any of the parts have been supplied damaged or incorrect, contact Majestic immediately. Any faults with the product found after installation cannot be rectified and Majestic will not be held responsible for re-installation of faulty or marked goods.

When fitting, ensure the area is degreased, dust-free and level.

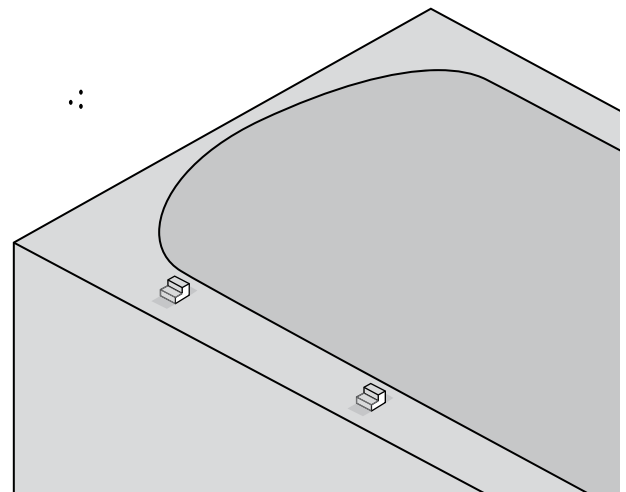
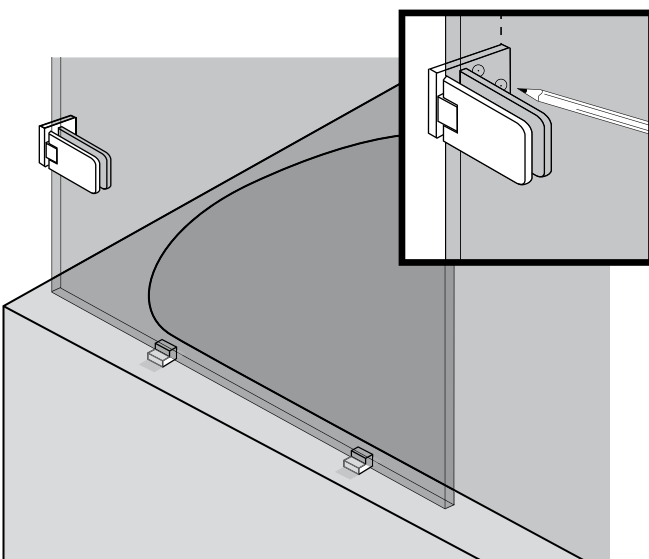


1

Disassemble the hinges, being careful not to damage the polished surfaces. Place the hinges and faceplates either side of the hinge slots in the glass bath screen, with gaskets inserted and wall screw plates facing inwards; loosely screw the hinges and faceplates together.

2

Position the hinges in the middle of their slots and use a setsquare to ensure they are square to the edge of the glass; the gaskets should be neat and flush, and the end of the glass should not protrude beyond the hinges. Tighten the Allen screws.



3

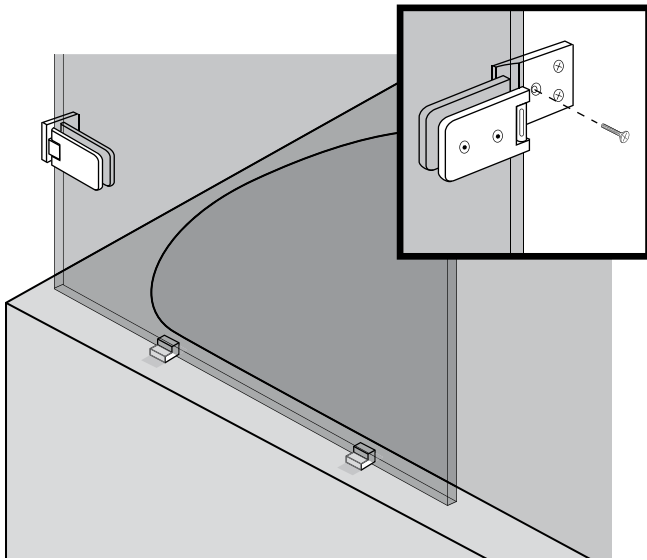


Steps 3-5 require one person to support the glass door panel at all times.

Position the door mounting blocks on the lip of the bath, in-line with the glass panel; tape into place. Using the suction glass lifters, lift the glass door complete with hinges onto the mounting blocks. Use a spirit level to ensure hinges are vertical; mark the screw holes.

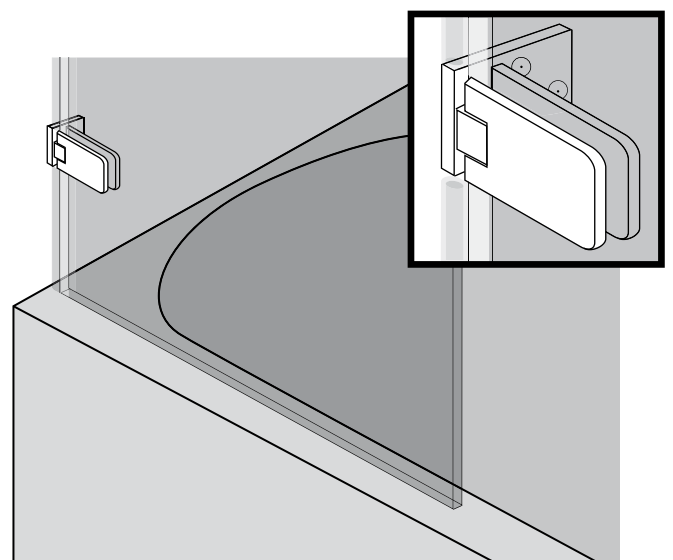
4

Using the suction glass lifters, remove the glass door. Drill 7mm holes where marked on the wall; insert Rawl plugs.



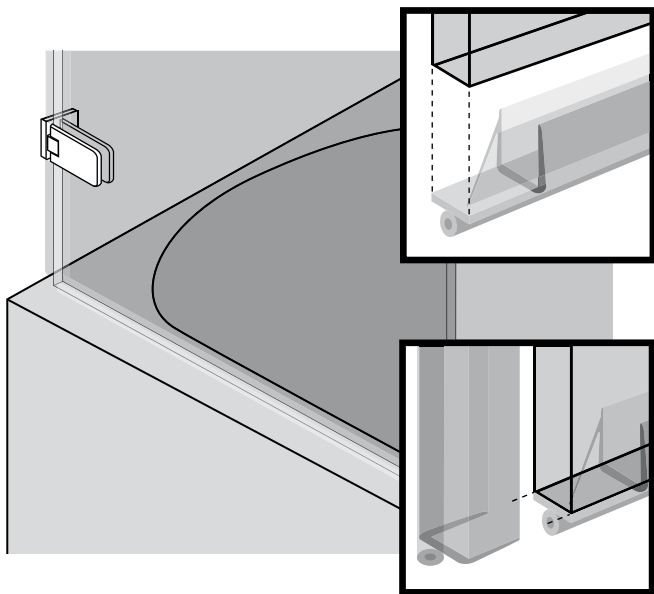
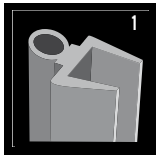
5

Using the suction glass lifters, replace the glass door complete with hinges onto the mounting blocks. Using only the four outer screw holes, tightly screw the hinges to the wall. To prevent damage to the hinge plates, open the door outwards to gain access to the inner screw holes; insert screws and tighten fully. Un-tape and remove the door mounting blocks.



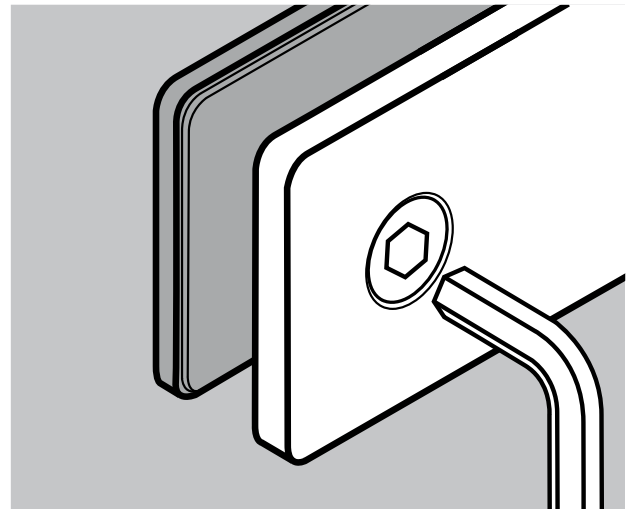
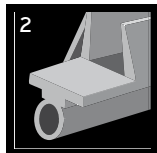
6

The 1929 door-to-wall seal (1) should be cut into three pieces and fit vertically above, between and below the hinges on the end of the bath screen. Note: the seal should extend down below the bottom of the door to touch the lip of the bath. Slide the sections into place on the door.



7

Mark the width of the glass door panel on the 1915 under-door seal (2); cut the seal to length. Prepare the seal as shown to allow it to intersect with the 1936 door-to-glass seal and slide it onto the bottom of the door.



8

Make sure all screws and fittings are tight (especially the 4mm Allen bolts on the hinges). Tighten the Allen bolts to 12 N·m.

