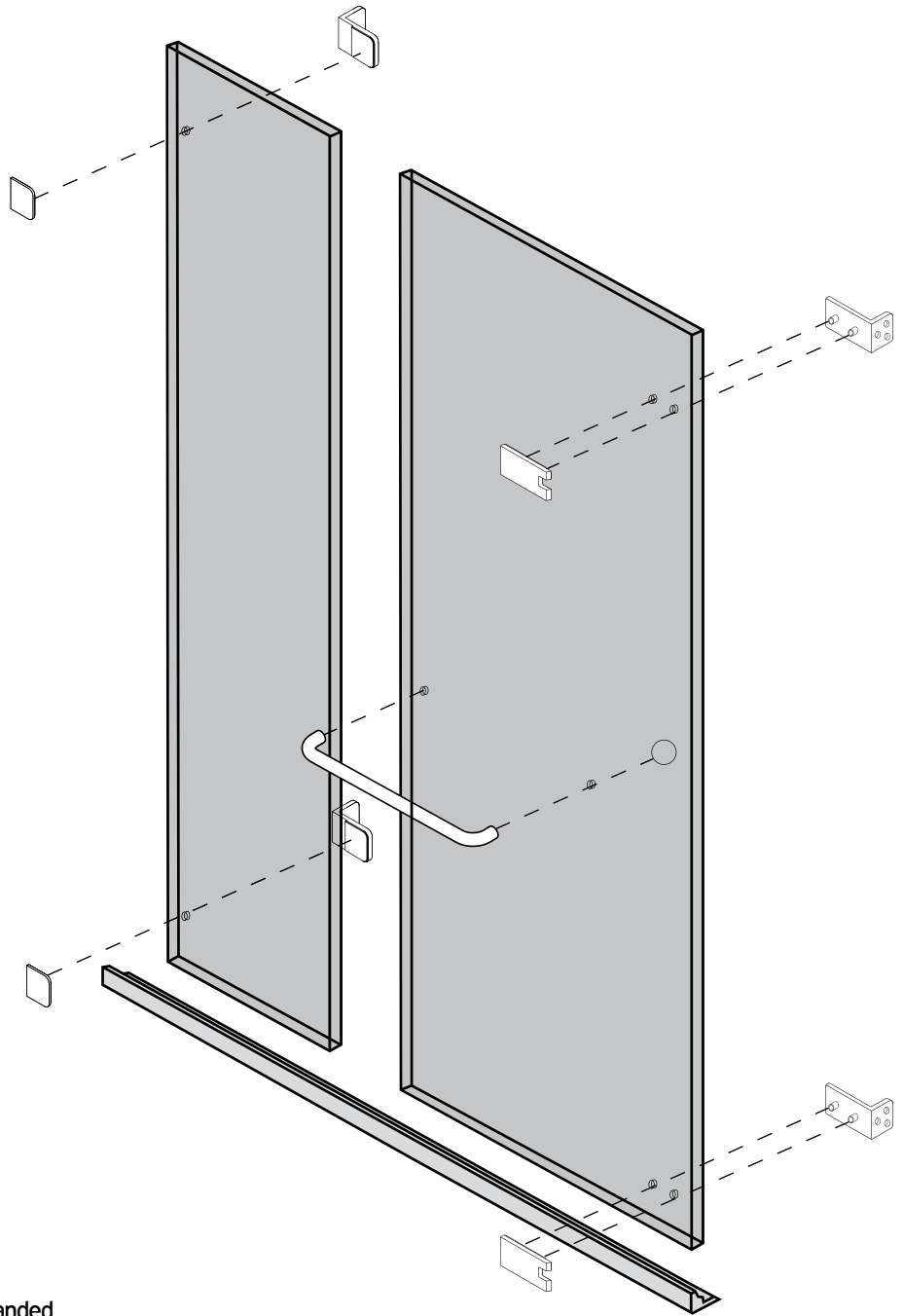


**MAJESTIC
INSTALLATION GUIDE**

**RIO CASE 1
FOR UNITS WITH RECESSED PROFILE
AND UNDERFRAME SUPPLIED
BEFORE GLASSWORK**







These Instructions are for a left and right handed unit. The diagrams show a right handed unit. You will have to determine which hand of unit you have before work commences.

Rio Alcove Door-Panel

YOUR KIT SHOULD CONTAIN THE FOLLOWING:

KIT 1 (supplied before glass):

Recessed Wall Profile	x1	
Black rubber strip	x1	
10mm spacer	x1	
Underframe sections	x1	

KIT 2 (supplied after you provide dimensions):

Underframe door seal insert	x1	
Glass door panel	x1	
Glass in-line panel	x1	
Glass-to-wall hinge	x2	
Glass-to-wall bracket (inc. Rawl plugs, screws, screw covers)	x2	
4mm Allen key	x1	
Door mounting blocks	x2	
1936 door-to-glass seal	x1	
1929 door-to-wall seal	x1	
1916 Under-door seal	x1	
Door handle set	x1	

TOOLS REQUIRED:

2x suction glass lifters	Sealant gun
2m Spirit Level	High-quality silicone
Setsquare	Pencil
Power drill/driver	Metal Scriber
Hacksaw	Masking tape
Junior Hacksaw	Measuring tape
Fine tooth file	

IMPORTANT:

You have been supplied with a wall profile and underframe section before the glass. Once the wall profile and underframe have been installed, you can then provide accurate measurements which Majestic will use to manufacture your bespoke glass panels.

Please check the glass and all components thoroughly before installation; if any of the parts have been supplied incorrectly or are damaged, contact Majestic immediately. Any faults with the product found after installation cannot be rectified and Majestic will not be held responsible for re-installation of faulty or marked goods.

When hanging the glass door from a wall, it is essential that the hinge wall screws are secured into a suitable sub-wall (i.e. timber stud work or solid masonry) as the door weighs in excess of 36kg. Most of the load is taken by the top hinge.

Unwrap all parts carefully to avoid damaging the chrome fittings!

This unit must be fitted on a level surface, unless the glass has been cut to suit any slope in the floor.

Whether fitting to a tiled floor or tray, ensure the area is degreased, dust free and level.

Do not place the glass panels on hard surfaces! Cover any hard surfaces you are working on with a cushioned material, to help prevent the glass from shattering on contact.

Before commencing the installation, please familiarise yourself with the glass-handling guide attached to the glass panels. Where appropriate, the top end of the glass panels will be indicated.

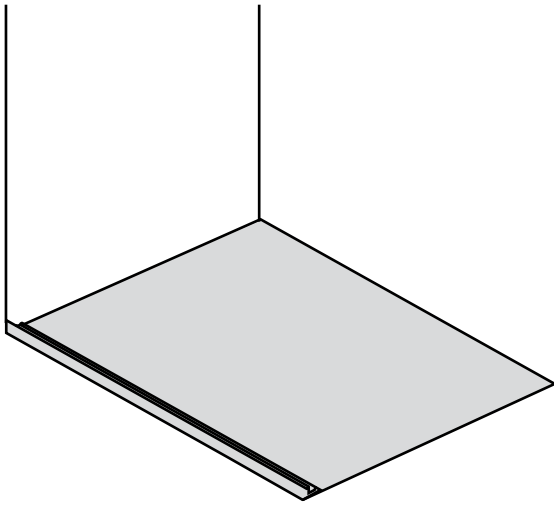
If you have purchased anti-calcium glass, the treated side of the glass will be indicated and should always face towards the inside (wet side) of the shower enclosure.

Certain sections of the installation of this shower enclosure require two people.

The plastic underframe door seal insert must not be cut down from its original size! It is factory cut to the width of the glass door plus 11mm; please check before commencing installation.

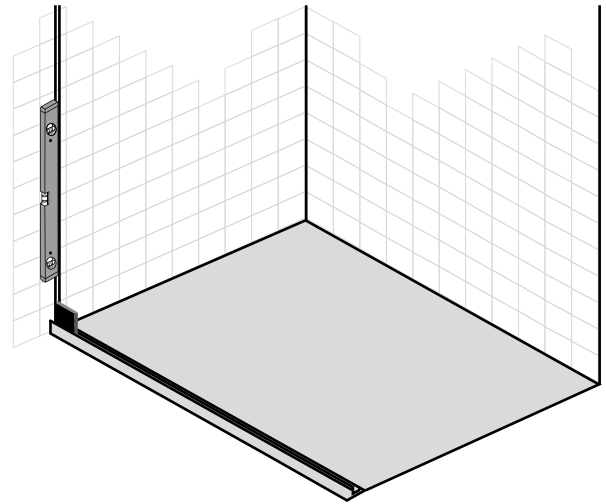
Before work commences make sure your tray to wall or floor to wall corner joint is fully silicone sealed.

Part 1 Before tiling or finishing your walls



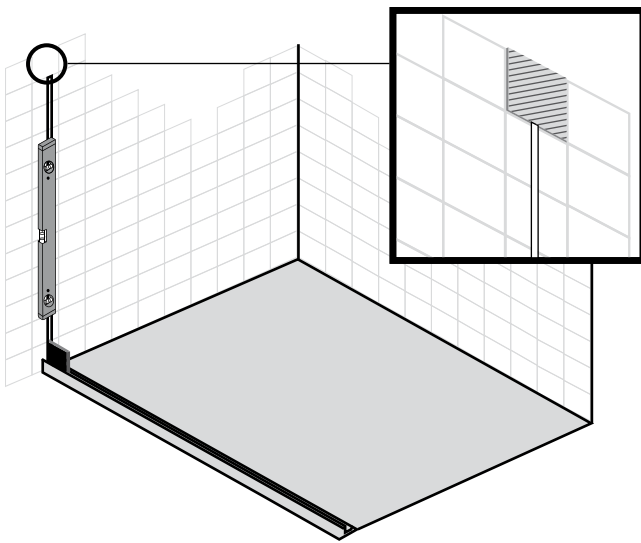
1

Place the underframe in position in the aperture where it is to be fitted. If the underframe is being installed on a tray, the position of the underframe in relation to the lip of the tray must also be considered. Ideally the outer edge of the underframe should sit 10mm back from the front edge of the tray. The length may only be cut before ordering bespoke glass.



2

When you have established the correct position of the underframe, tape it in place and mark its position. Place the 10mm spacer in the underframe channel and use as a guide to mark the position of the vertical wall profile with a 2m spirit level; it is critical that the wall profile is installed plumb vertical.

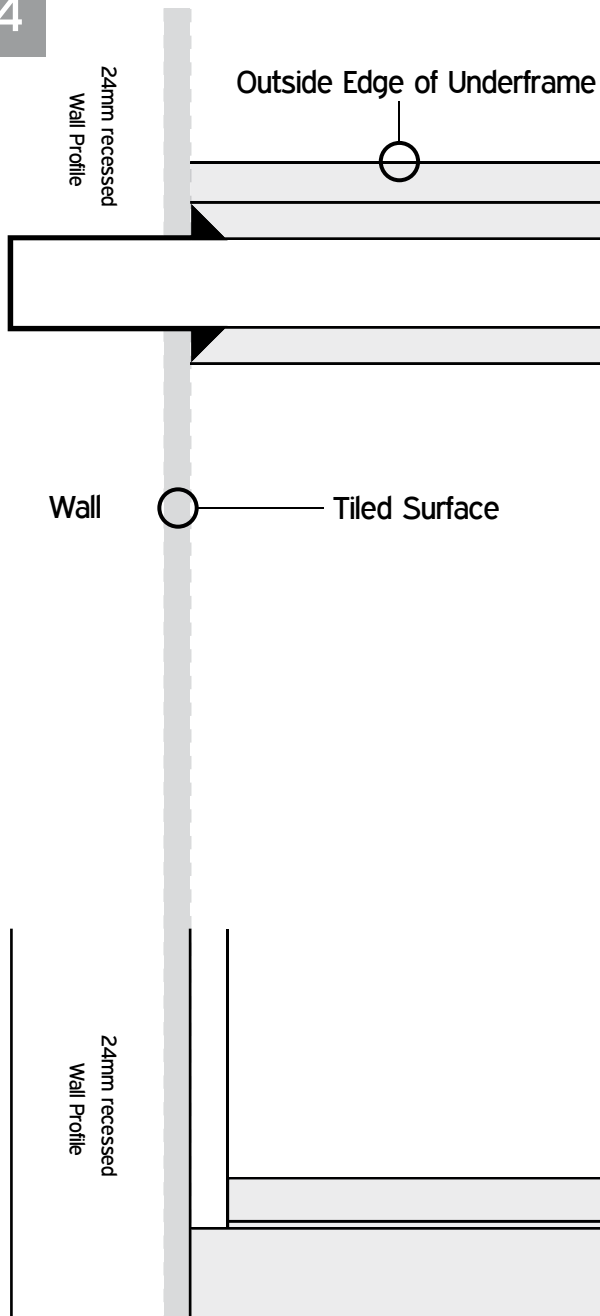


3

Un-tape and remove the underframe. When tiling the wall we recommend you leave off the tile above the open end of the recessed vertical wall profile and fit it after the glass has been installed. Our standard unit height is 2000mm.

Part 2 After tiling or finishing your walls

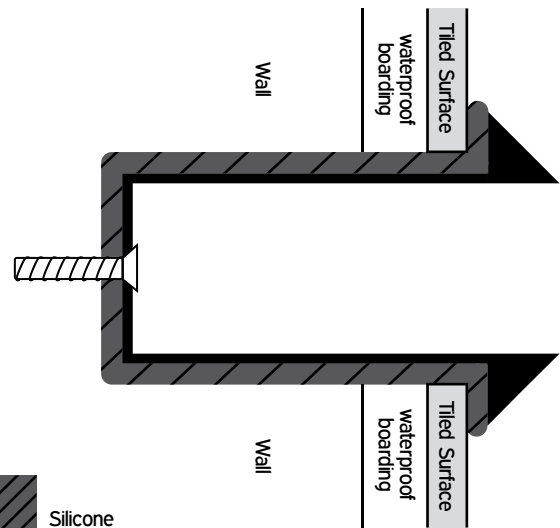
4



Underframe
(View from inside shower)

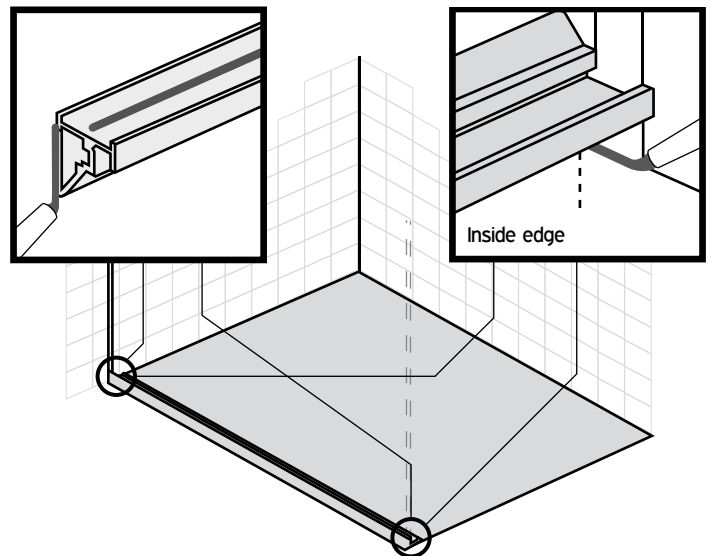
Install the recessed vertical wall profile; be aware that the profile may have been supplied over-length and that the standard unit height is 2000mm.

The vertical wall profile has been cut at one end to fit neatly with the underframe. Once installed, the square ends of the underframe section must sit flush against the tiles or finished surface of the walls, as shown.



5

The recessed vertical wall profile must be secured to the back wall with the screws provided, and the joint between the outer surface of the wall and the profile should be sealed securely with a high-quality silicone.



6

Run a substantial bead of silicone along the centre of the underside of the underframe, and apply a small amount of silicone into the corners where the underframe will sit against the walls.

Reposition the underframe where marked, ensuring it is aligned correctly to the recessed vertical wall profile; tape into place.

Part 3 How to take measurements for the glass panels

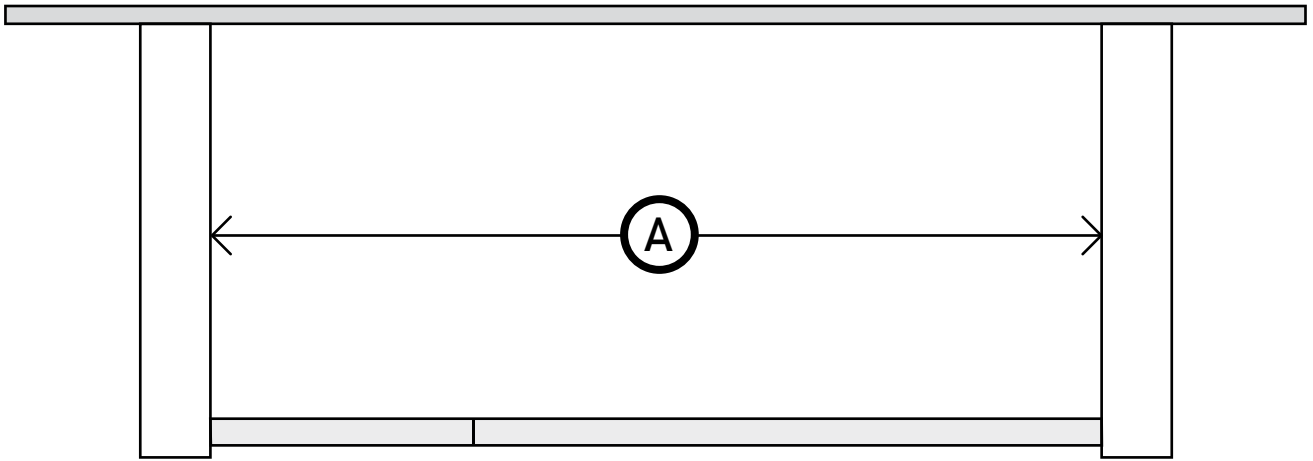
Once you have fully measured for the glass panels
make note of these measurements below:

A:

B:

C:

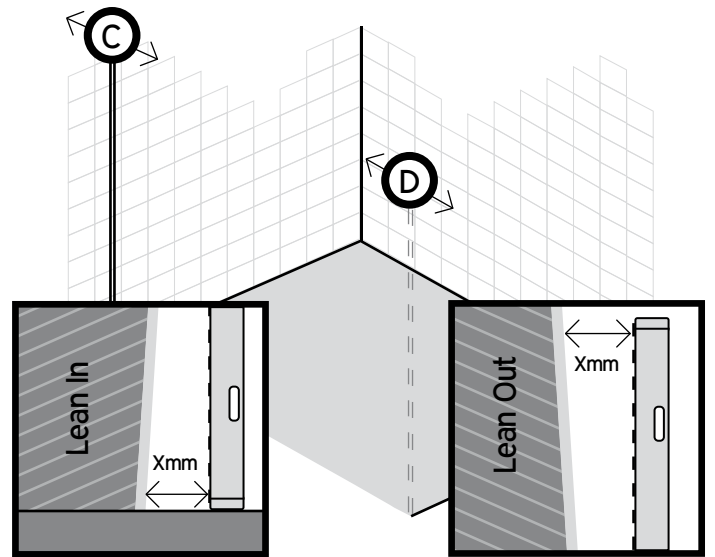
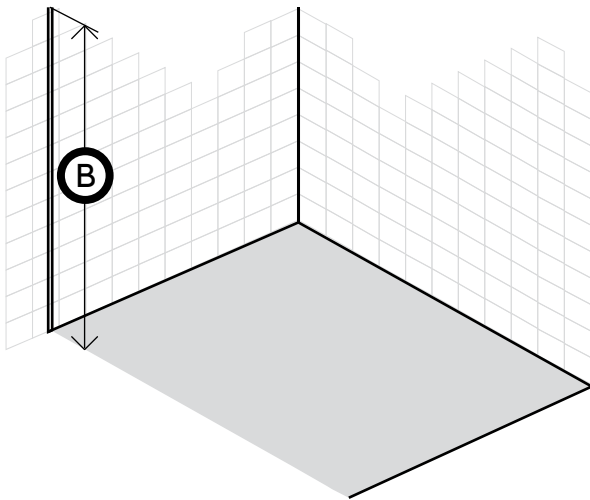
D:



7

We require the following measurements (in mm at floor height):

A - from one tile or wall surface to the other



8

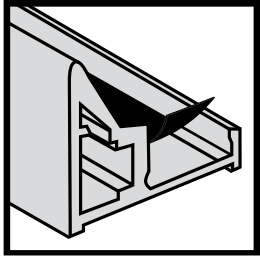
We also require the following measurements (in mm):

B from the tray or floor to the top of the recessed vertical wall profile. (Not the underframe). Our standard unit height is 2000mm.

D is where the door will be screwed to the wall. Check wall D and profile C to see if they lean out or in at the top. You will need a 2 meter spirit level.

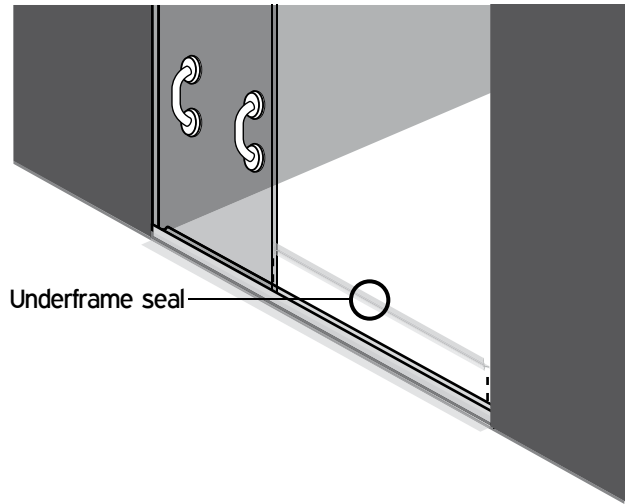
Once you have taken the measurements, forward them to your supplier who will place an order with Majestic Showers.

Part 4 After receiving your bespoke glass panels



9

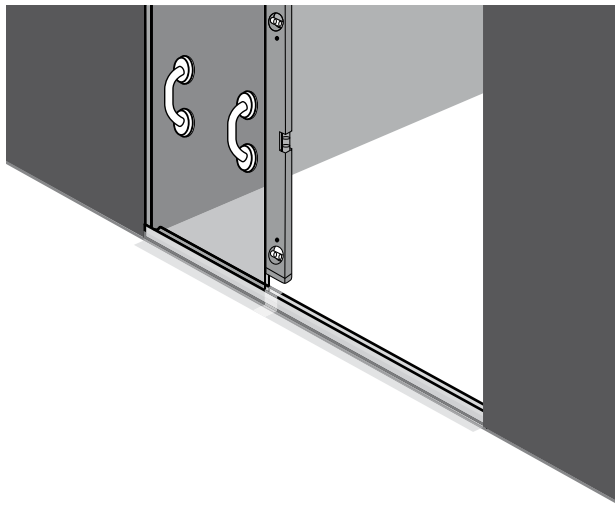
Insert a rubber strip into the return underframe channel where the fixed panel will sit.



10

Using the suction glass lifters, lift the glass in-line panel into the recessed wall profile and carefully lower into the underframe channel. Position the glass in-line panel so that the underframe plastic seal fits snugly between it and the wall.

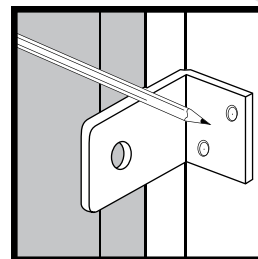
! Ensure the glass panel is inserted into its recessed wall profile from top to bottom, so that it does not fall out.



11

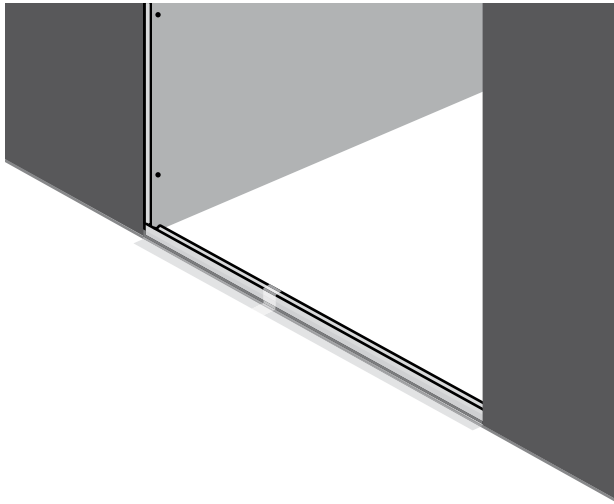
Check the glass in-line panel is plumb vertical; pack it up with 3" rubber strips if necessary, taking note of their positions. Do not use more than three strips of rubber under the glass.

Mark the position of the end of the glass panel on the underframe using masking tape.



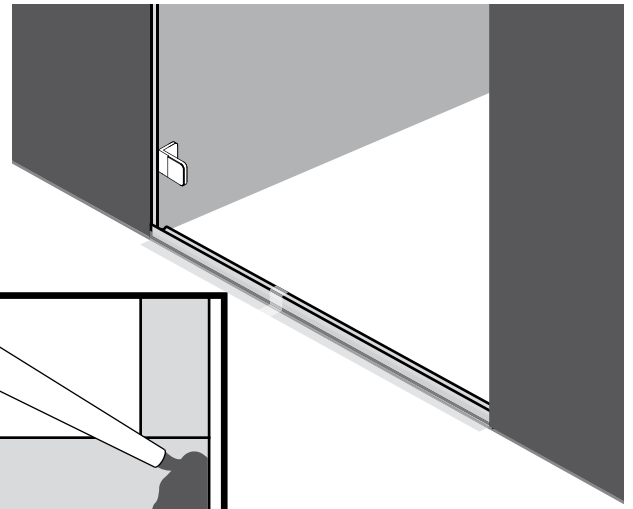
12

Disassemble the glass-to-wall brackets, being careful not to damage the faceplates. With the clear plastic gasket inserted and wall screw plates facing inwards, align the brackets centrally to the holes in the glass in-line panel; hold them in place and mark the screw holes.



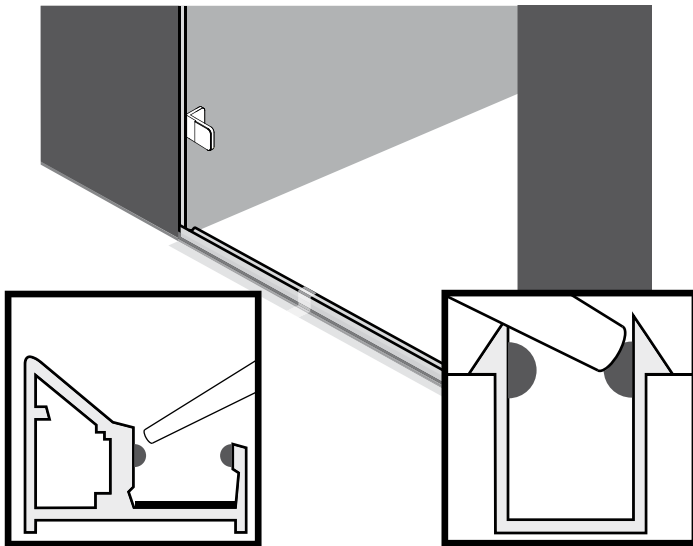
13

Put the brackets to one side and use the suction glass lifters to remove the glass in-line panel. Remove the black rubber strips taking note of how many there are under the panel. Drill 7mm wall holes for the brackets, as marked; insert Rawl plugs.



14

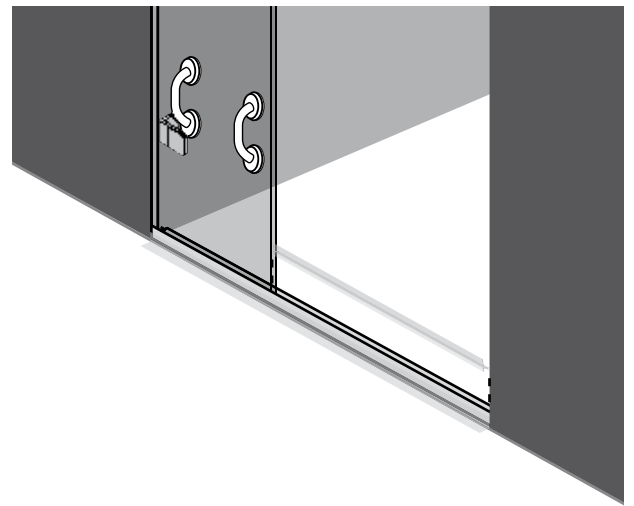
Loosely screw the glass-to-wall brackets to the wall. Apply a generous amount of silicone on the inside of the channels where they meet in the corner; this will squeeze into any gaps when the glass is inserted.



15

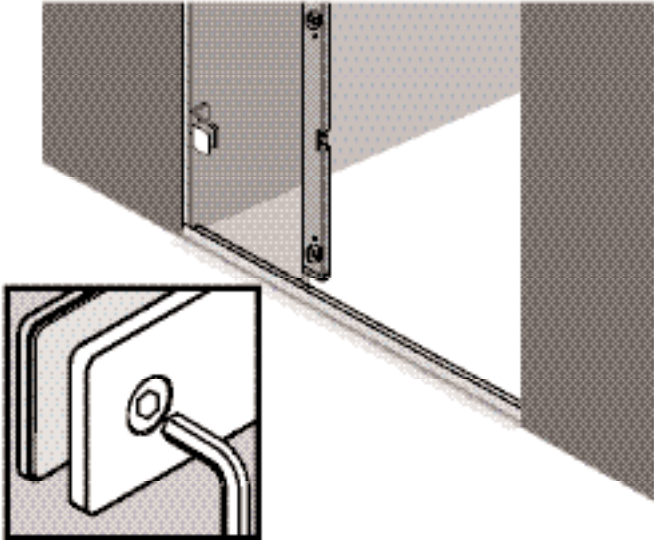
Replace the black rubber strips in their correct positions, trimming them to the same length as the glass in-line panel, leaving the door section empty.

Run beads of silicone along the inside of the recessed wall profile and the underframe channel, as shown. Do not apply silicone to the section of underframe above which the door will hang where the seal clips into the underframe.



16

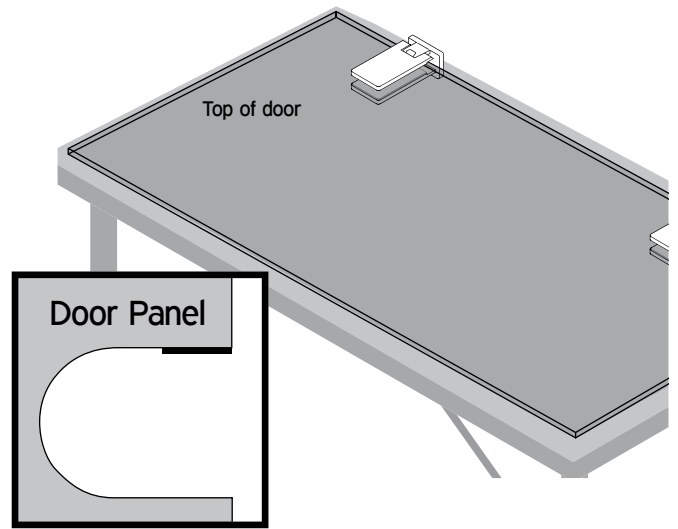
Using the suction glass lifters, replace the glass in-line panel into the silicone-lined profile, as marked on the underframe, making sure the gap for the door is correct and the clear plastic underframe seal fits snugly between the in-line panel and the wall. This gap should be the width of the glass door + 11mm.



17

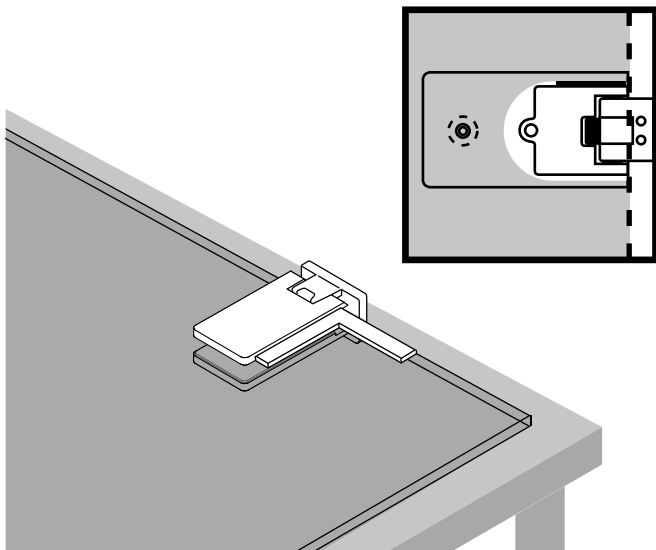
Loosely fix the faceplates to the glass-to-wall brackets through the holes in the glass, ensuring the clear plastic gaskets are inserted either side of the panel; fully tighten the wall screws.

Ensure the glass in-line panel is plumb vertical, then fully tighten the two glass-to-wall bracket faceplates.



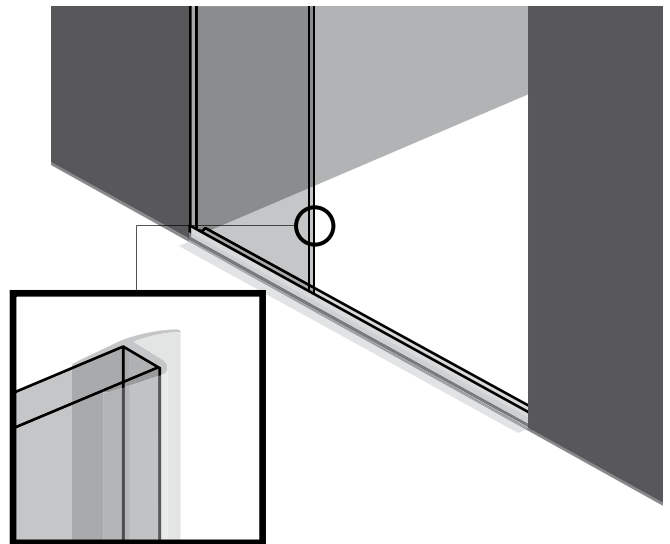
18

Insert a black rubber hinge packer into the hinge cut outs, as shown. Disassemble the hinges, being careful not to damage the polished surfaces. Place the hinges and faceplates either side of the hinge slots in the glass, with gaskets inserted and Allen bolts facing inwards; loosely screw the hinges and faceplates together.



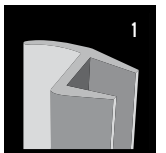
19

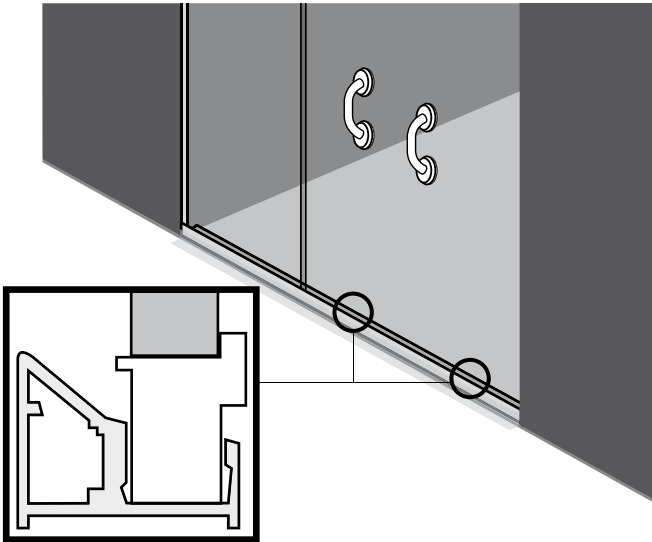
Position the hinges at the top of their slots and use a set square to the edge of the glass. The gaskets should be neat and flush and the end of the glass should not protrude beyond the hinges. Tighten the Allen screws.



20

! To protect the glass in-line panel from being damaged you can slide the vertical 1936 (1) seal onto its exposed vertical edge; cut the seal to size.



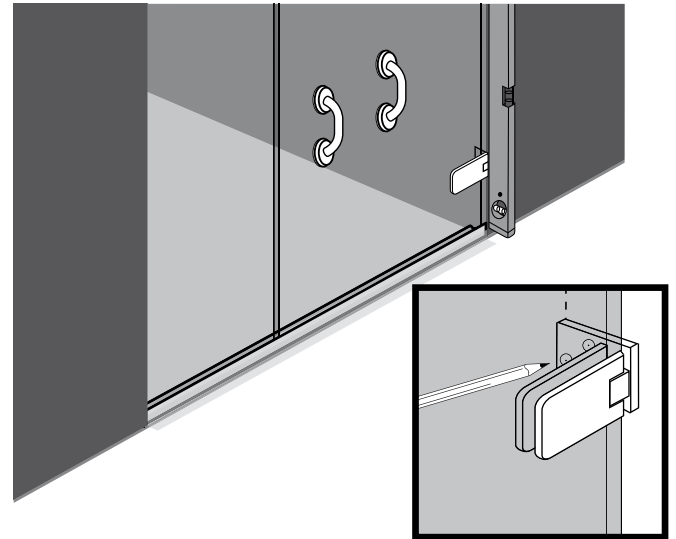


21



Steps 21-23 require one person to support the glass door panel at all times, while another person must be inside the enclosure with hinge faceplates, gaskets and screws.

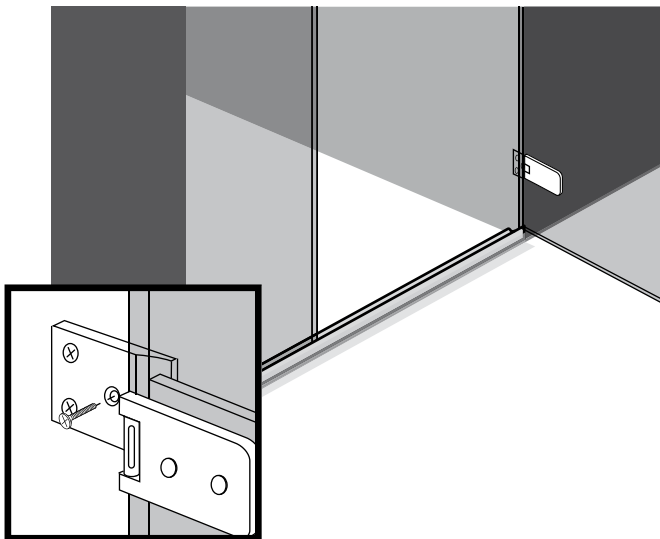
Unclip the underframe seal and position the door mounting blocks in the underframe channel. Using the suction glass lifters, lift the glass door panel onto the mounting blocks. Be careful not to chip the edges of the glass against each other.



22

Align the door with the in-line panel, checking it is plumb vertical. Make sure the tops of the panels are level with each other.

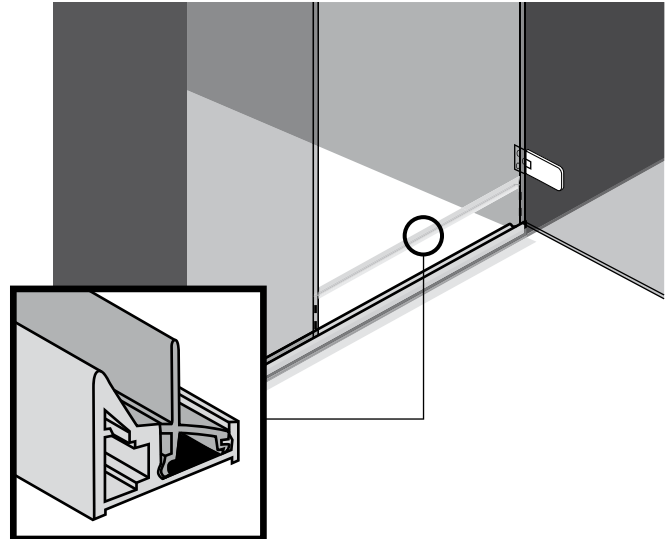
Mark the screw holes for the hinges then remove the door.



23

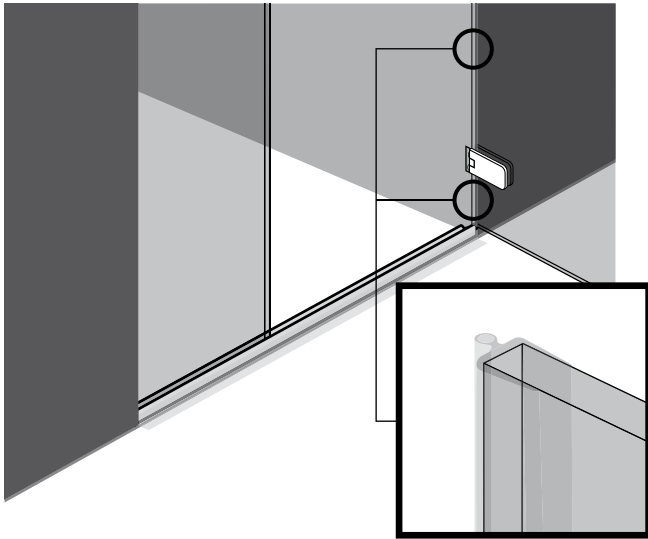
Drill 7mm holes where marked on the wall; insert Rawl plugs. Using the suction glass lifters, place the glass door complete with hinges onto the mounting blocks.

Using only the four outer screw holes, tightly screw the hinges to the wall. To prevent damage to the hinge plates, open the door outwards to gain access to the inner screw holes; insert screws and tighten fully.

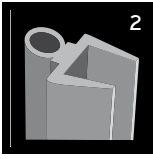


24

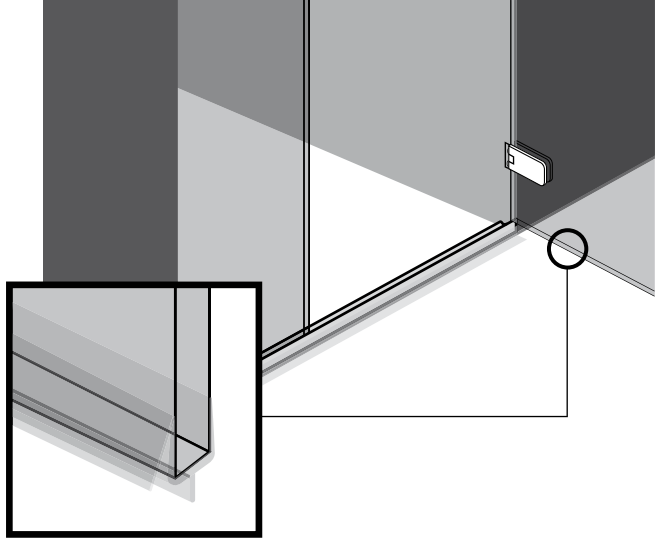
Remove the door mounting blocks, and insert the plastic underframe seal. Close the door carefully and check it is aligned with the in-line panel. If necessary, the door can be adjusted on its hinges; make sure the glass does not protrude past the hinge plates into the hinge.



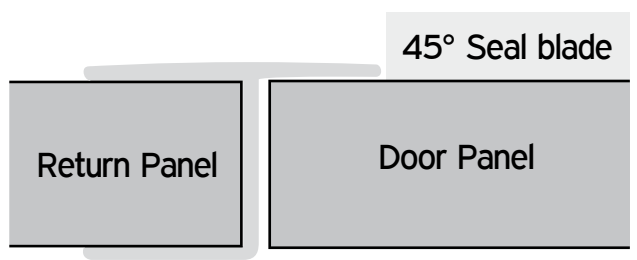
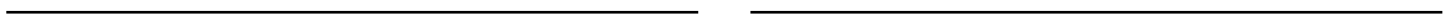
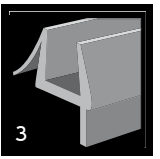
25 The 1929 door-to-wall seal (2) should be cut into three pieces to fit vertically above, between and below the hinges on the end of the door.




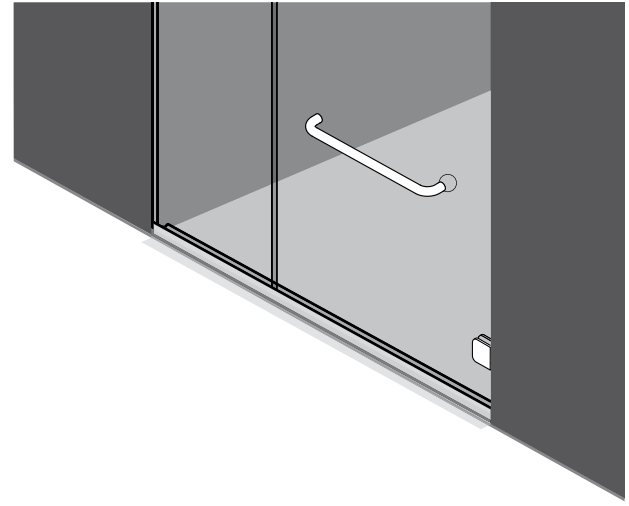
Open the door outwards and slide the sections into place on the door.



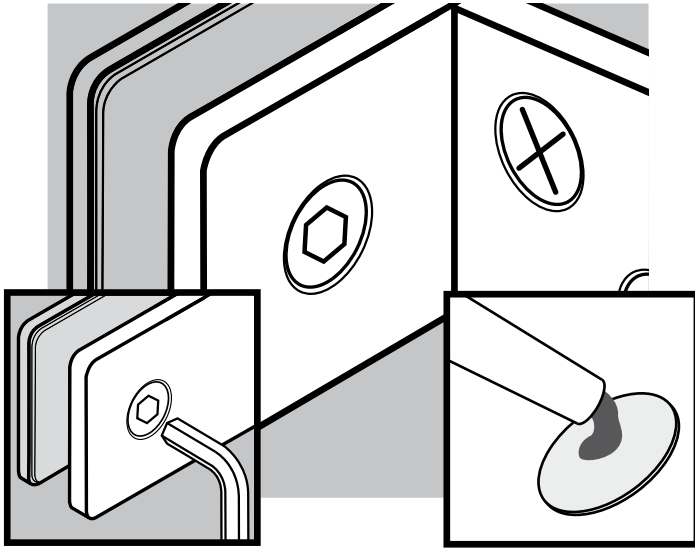
26 Mark the width of the glass door panel on the 1916 under-door seal (3); cut the seal to length, and slide it onto the bottom of the door.



27  Cut off the 45° blade on the 1916 under-door seal so it misses the seal on the return panel.



28 Disassemble the handle, being careful not to damage the chrome surfaces; fit the handle to the door.



29

Make sure all screws and fittings are tight (especially the 4mm Allen bolts on the hinges). Tighten to 12 N.m. Dab the cover caps with silicone and place the caps on the glass-to-wall brackets. Caps are not provided for the polished hex Allen bolts on the hinges.

